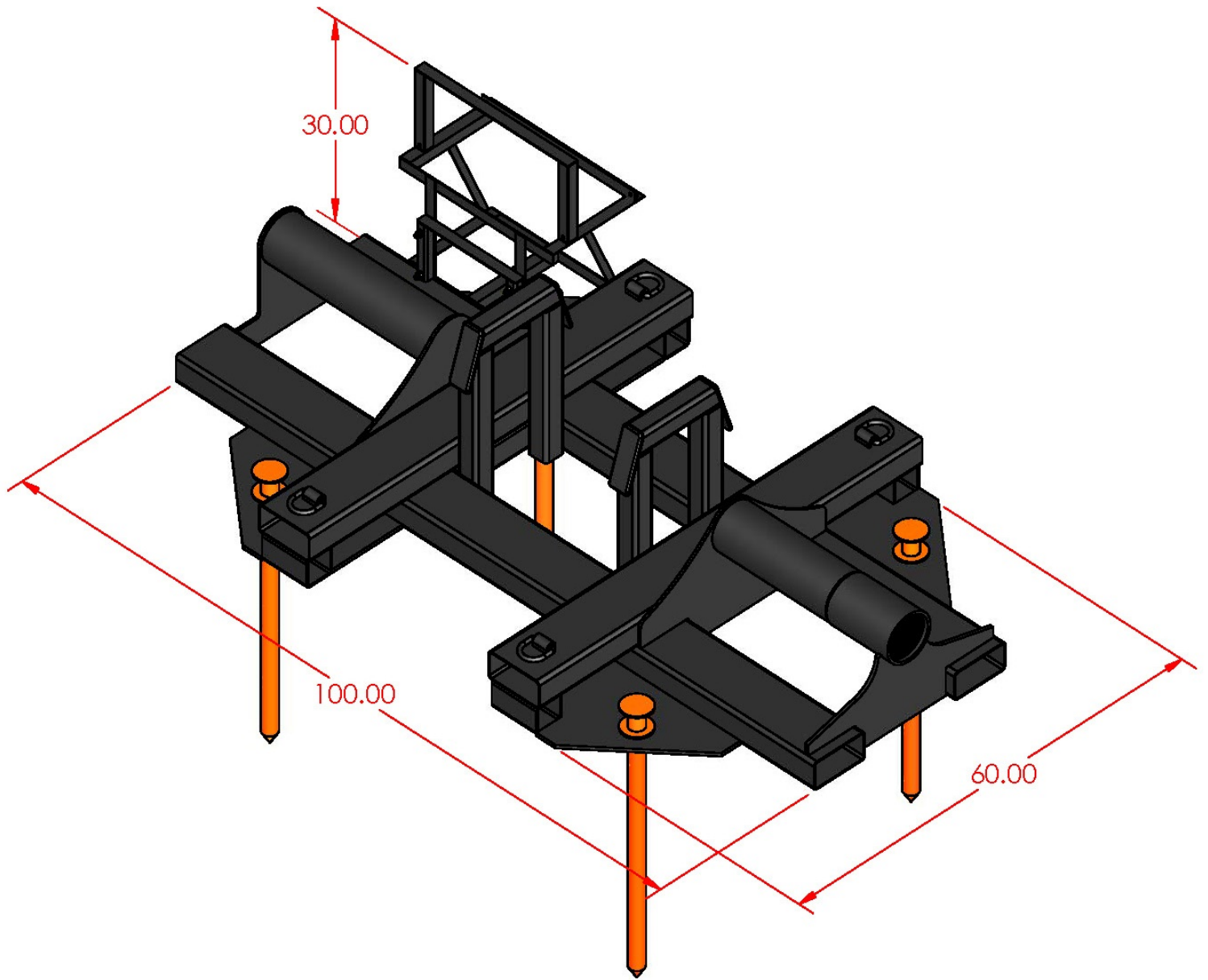




**LaValley Industries**



**TONGHAND SHIPPING/STORAGE/STRING BUILDER STAND**

PART NUMBER	6772	FEATURES
PRODUCTS APPROVED FOR	TONGHAND	<ul style="list-style-type: none"> <li>· Will hold a single TONGHAND unit.</li> <li>· Can be used to build drill pipe strings</li> <li>· Hold-down spikes can be used during string building.</li> <li>· Attached case holder can be used to hold your accessory kits.</li> </ul>
STAND WEIGHT	1,070 LBS / 485 KG	
STAND DIMENSIONS (INCHES)	100L X 60W X 30H	
SHIPPING DIMENSIONS WITH TONGHAND (INCH)	100L X 60W X 101H	