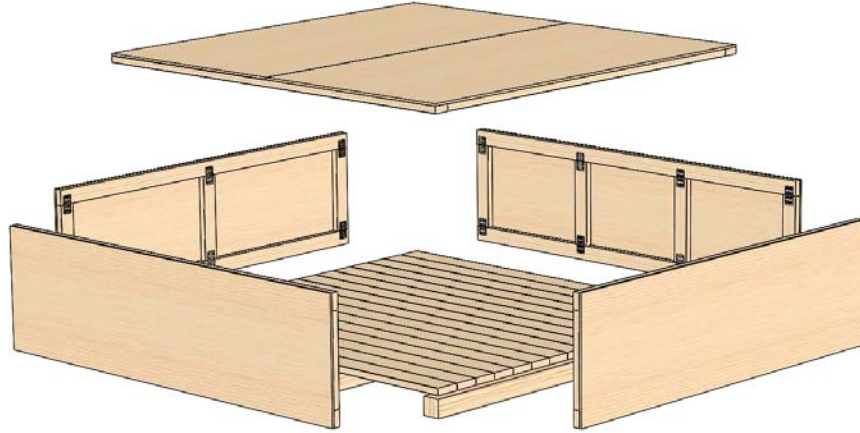


HEAVY DUTY WOOD CRATE KIT ASSEMBLY INSTRUCTIONS



When a new crate kit is received it will be stacked in sections similar to figure 1a.

This crate kit includes the following:

- Base, side, and lid assemblies.
- Package of 5/16 x 4" Self tapping lag screws
- Assembly Instructions

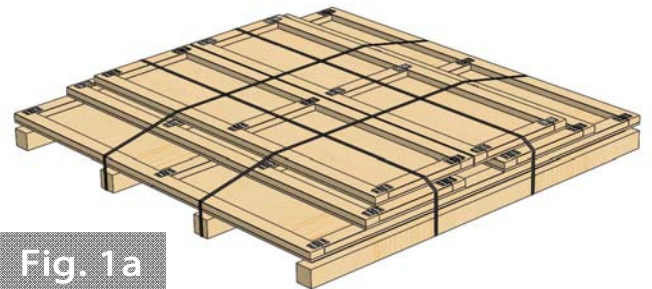


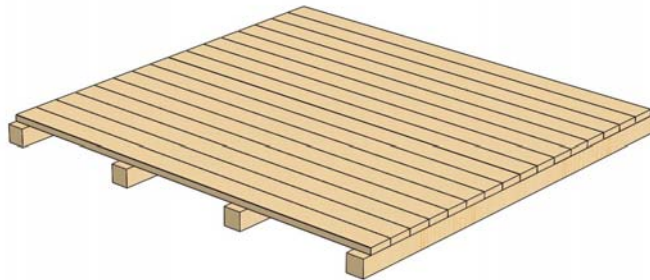
Fig. 1a

The assembly of this crate requires the following:

- 1" Metal Banding for stacking (Suggested)

Step 1: Load Cargo

- Un-stack crate kit pieces.
- Load cargo onto crate base.



Step 2: Secure Cargo

- Secure cargo using blocking, straps, or any other required tie down methods.
- Ensure that cargo is well secured to base of crate before continuing.

Step 3: Install Crate Sides

- Install sides onto base as shown (fig. 3a)
- Secure all sides using 5/16" X 4" self-tapping lag screws (fig. 3b)
- Screw sides together spacing fasteners 12 Inches apart minimum (fig. 3c)
- Screw sides to base spacing fasteners 24 Inches apart minimum (fig. 3d)

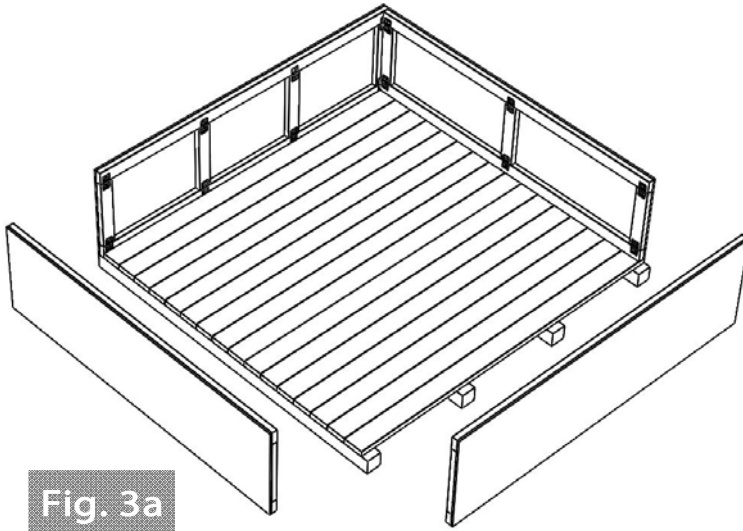


Fig. 3a



Fig. 3b

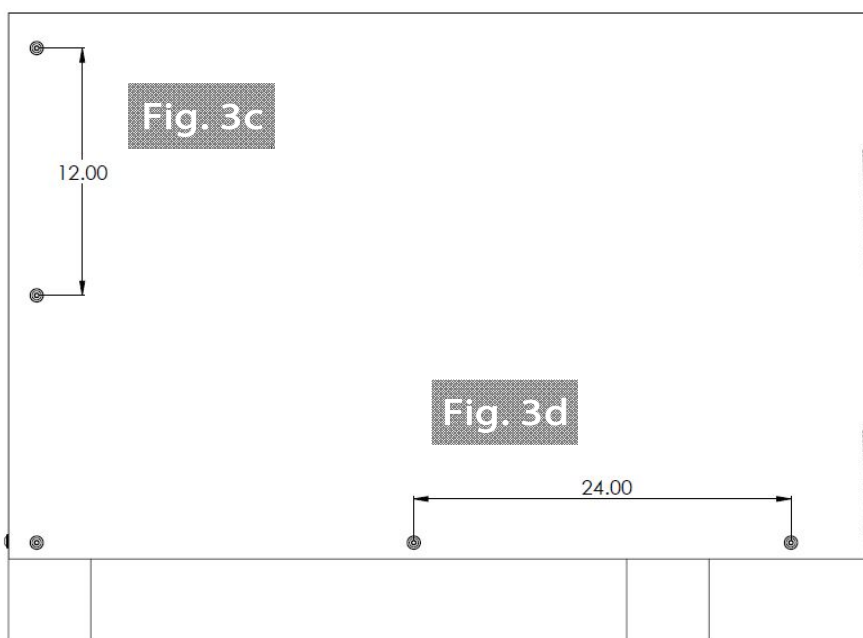


Fig. 3c

Fig. 3d

Step 4: Install Lid

- Install lid as shown (fig. 4a)
- Secure lid using 5/16" X 4" self-tapping lag screws (fig. 4b)
- Screw one fastener into each corner.
- Space fasteners 24 Inches apart minimum (fig. 4c)

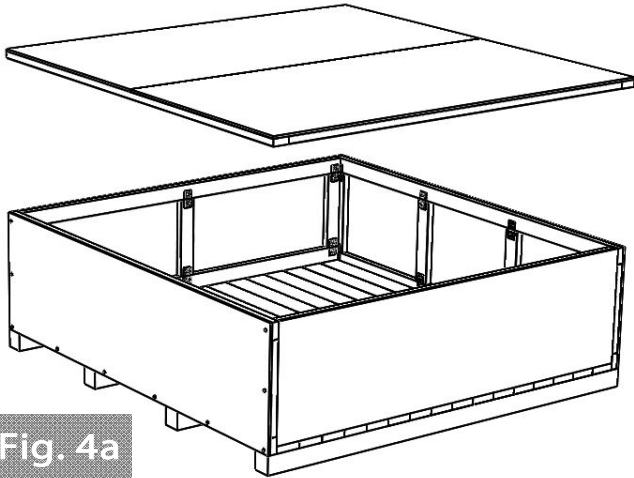


Fig. 4a

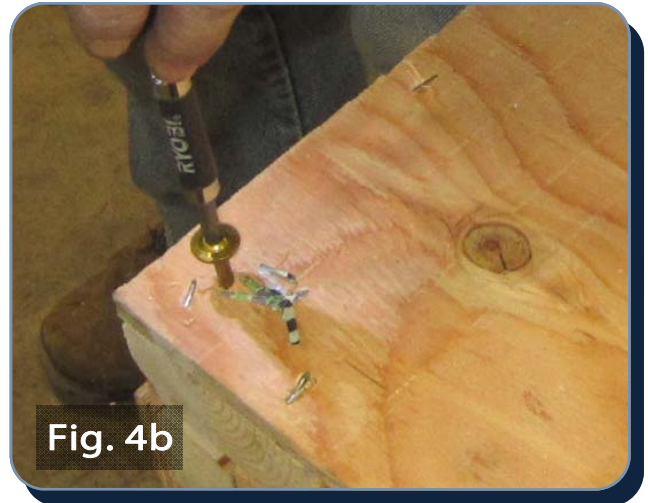


Fig. 4b

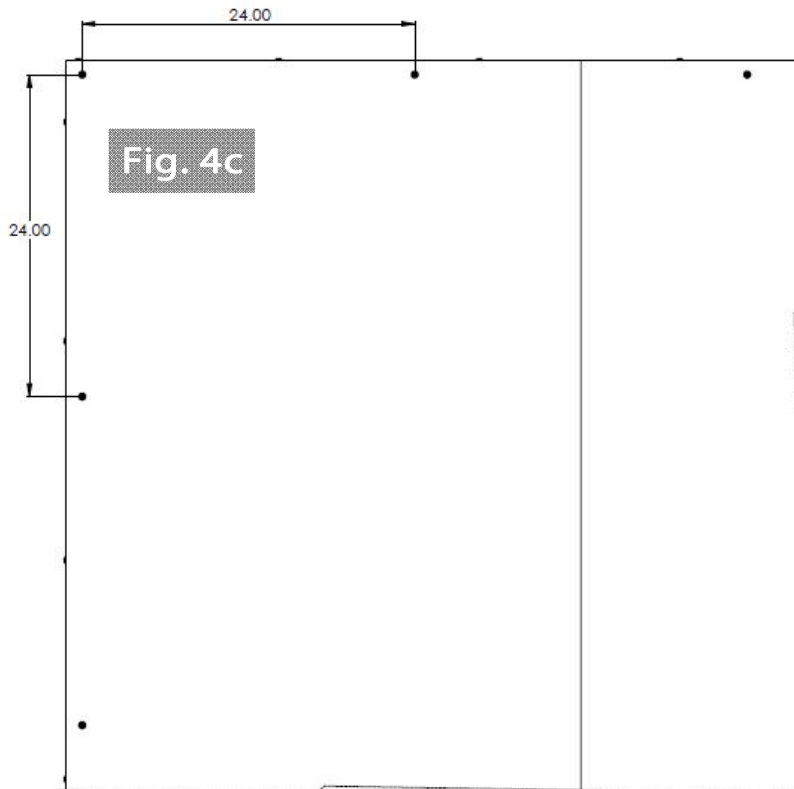


Fig. 4c

Step 5: Stack Crates

- When stacking crates (up to two high) it is important to line up both heavy ends with each other if cargo weight is not evenly distributed.
- Mark the **heavy** side with "LIFT THIS END" (fig. 5a)
- Mark the **light** side with "DO NOT LIFT THIS END" (fig. 5b)



Fig. 5a

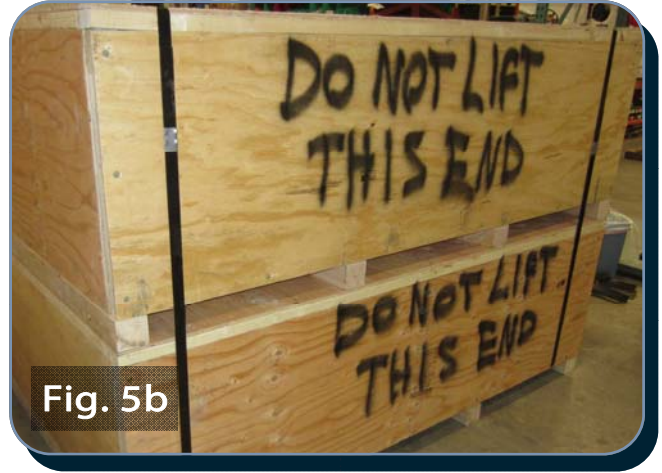


Fig. 5b

Step 6: Transporting Crates

- The following options are recommended for transportation of a set of two crates.
 - Use 5/16" X 4" self-tapping lag screws to secure top crate to bottom crate (fig. 6a)
 - Use 1" straps to secure crates to each other (fig. 6b)



Fig. 6a



Fig. 6b