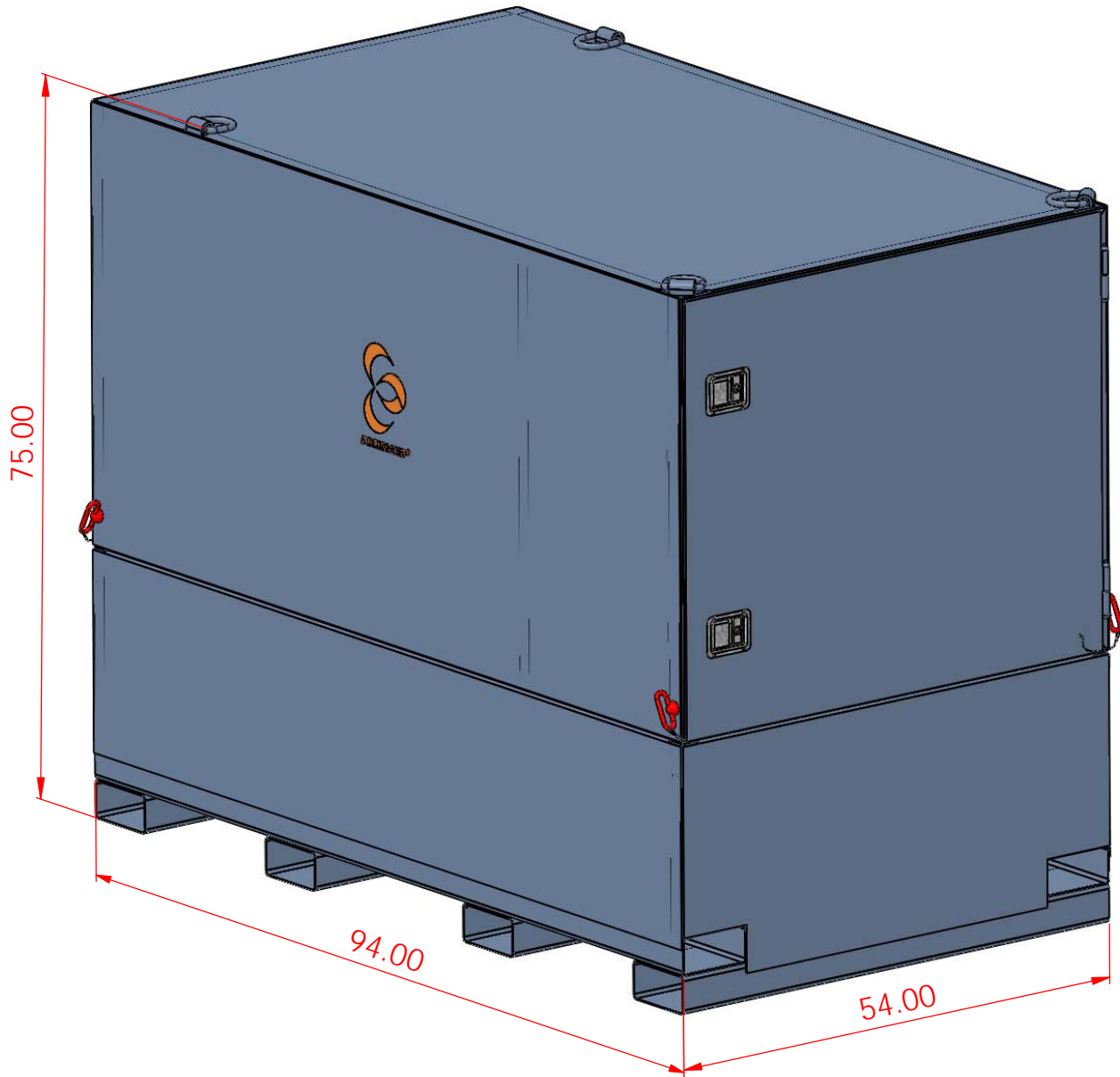




**LaValley Industries**



**SHORT DECKHAND ENCLOSED SHIPPING / STORAGE CONTAINER**

PART NUMBER	4224
CAPACITY	6500 LBS / 2949 KGS
INTERIOR DIMENSIONS	91L X 44W X 74H
DECKHAND PRODUCTS APPROVED FOR	DECKHAND, DHS
EMPTY WEIGHT	2,450 LBS / 1,111 KG
SHIPPING DIMENSIONS (INCHES)	95L X 58W X 75H