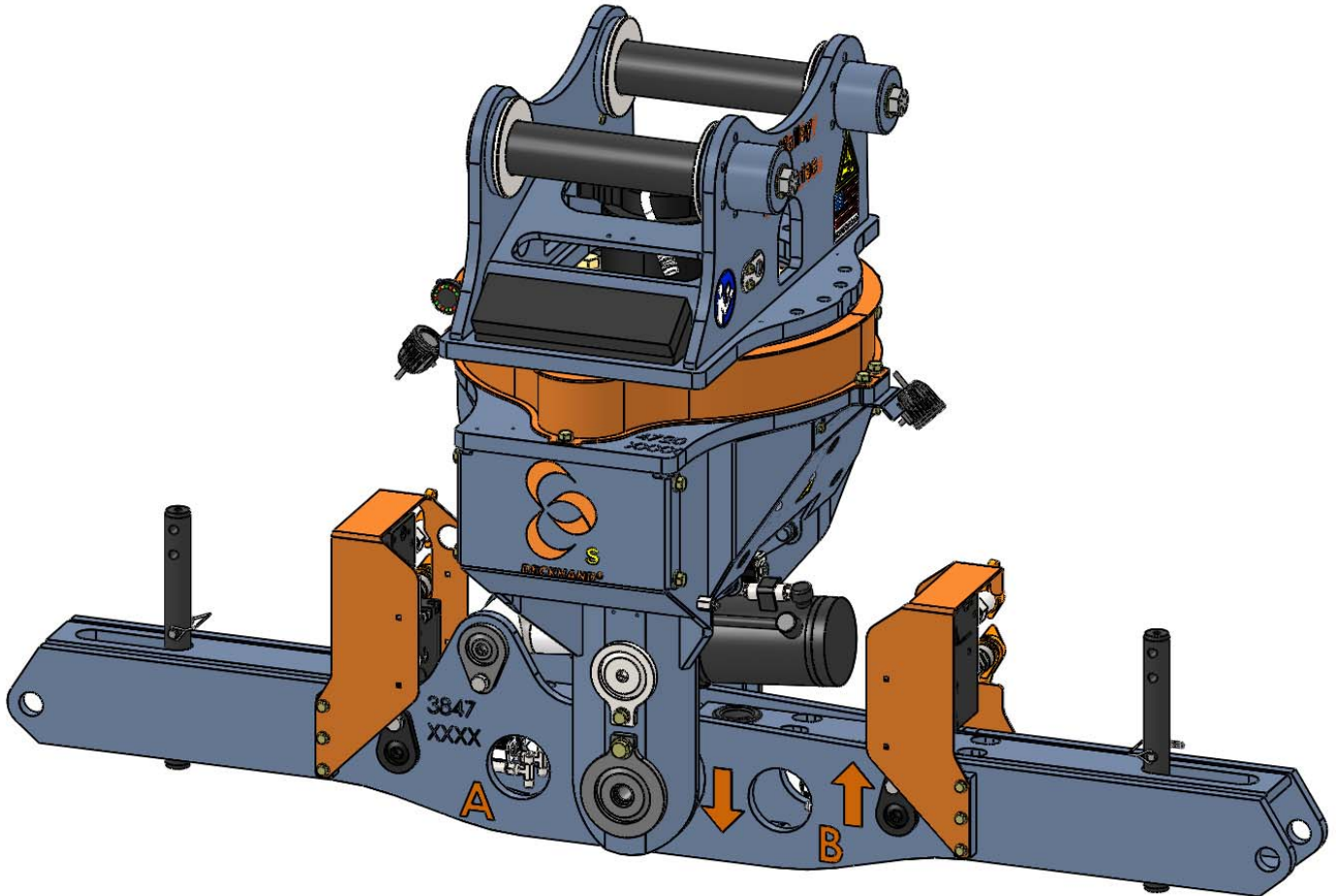




# LaValley Industries



## DECKHAND HEAD UNIT

|                             |   |
|-----------------------------|---|
| PART NUMBER                 | 4844                                      |
| MODEL NUMBER                | DHS                                       |
| EXCAVATOR WT CLASS          | 18-20 METRIC TON                          |
| SUPPLY PRESSURE             | 3,000 PSI / 207 BAR - 5,000 PSI / 345 BAR |
| MAX FLOW                    | 50 GPM / 189.3 LPM                        |
| MIN FLOW                    | 16 GPM / 60.5 .PM                         |
| MAIN BEAM SIZE (INCHES)     | 6X6                                       |
| CAPACITY                    | 20,000 LBS / 9,071 KG                     |
| WEIGHT                      | 2,100 LBS / 953 KG                        |
| SHIPPING STAND P/N          | 1270 OR 3640 OR 4224                      |
| SHIPPING DIMENSION (INCHES) | 93L x 76W x 82H (W/1270 STAND)            |
| SHIPPING WEIGHT W/ STAND    | 2,922 LBS / 1,325 KG                      |