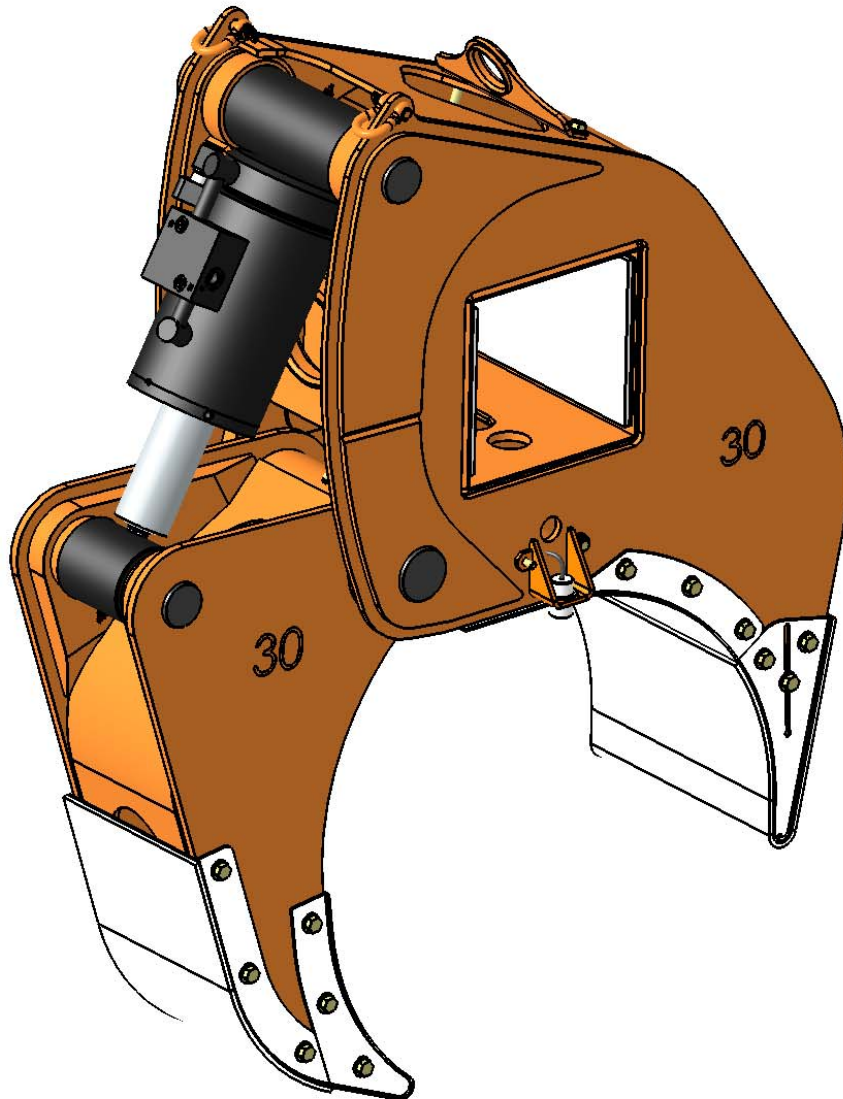




LaValley Industries



DECKHAND "XL" PIPE ARM

30 INCH PAXL SPECIFICATIONS

PART NUMBER	3287
MODEL NUMBER	PAXL 30
MAIN BEAM SIZE (INCHES)	10X10
CAPACITY	28,000 LBS/ 12,700 KG
WEIGHT	1,150 LBS/ 522 KG
SHIPPING CRATE P/N	2628
SHIPPING DIMENSION (INCHES)	66L X 46W X 70H
SHIPPING WEIGHT(ARM SET W/ CRATE)	3,425 LBS / 1,554 KG