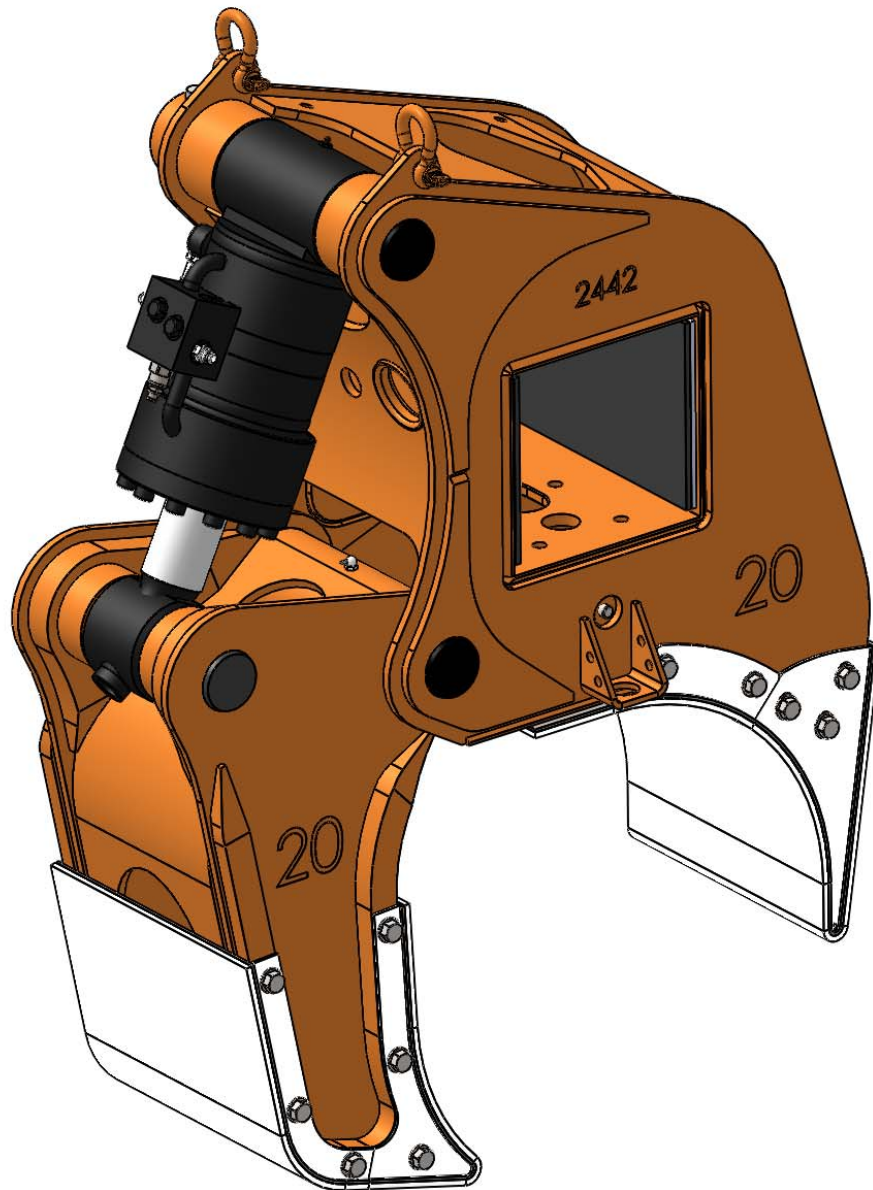




LaValley Industries



**DECKHAND "L" PIPE ARM  
20 INCH PAL SPECIFICATIONS**

PART NUMBER	2441
MODEL NUMBER	PAL 20
MAIN BEAM SIZE (INCHES)	8X8
CAPACITY	16,000 LBS / 7,257 KG
WEIGHT	750 LBS / 340 KG
SHIPPING CRATE P/N	2578
SHIPPING DIMENSION (INCHES)	52L X 42W X 52H
SHIPPING WEIGHT (ARM SET W/ CRATE)	2,260 LBS / 1,025 KG