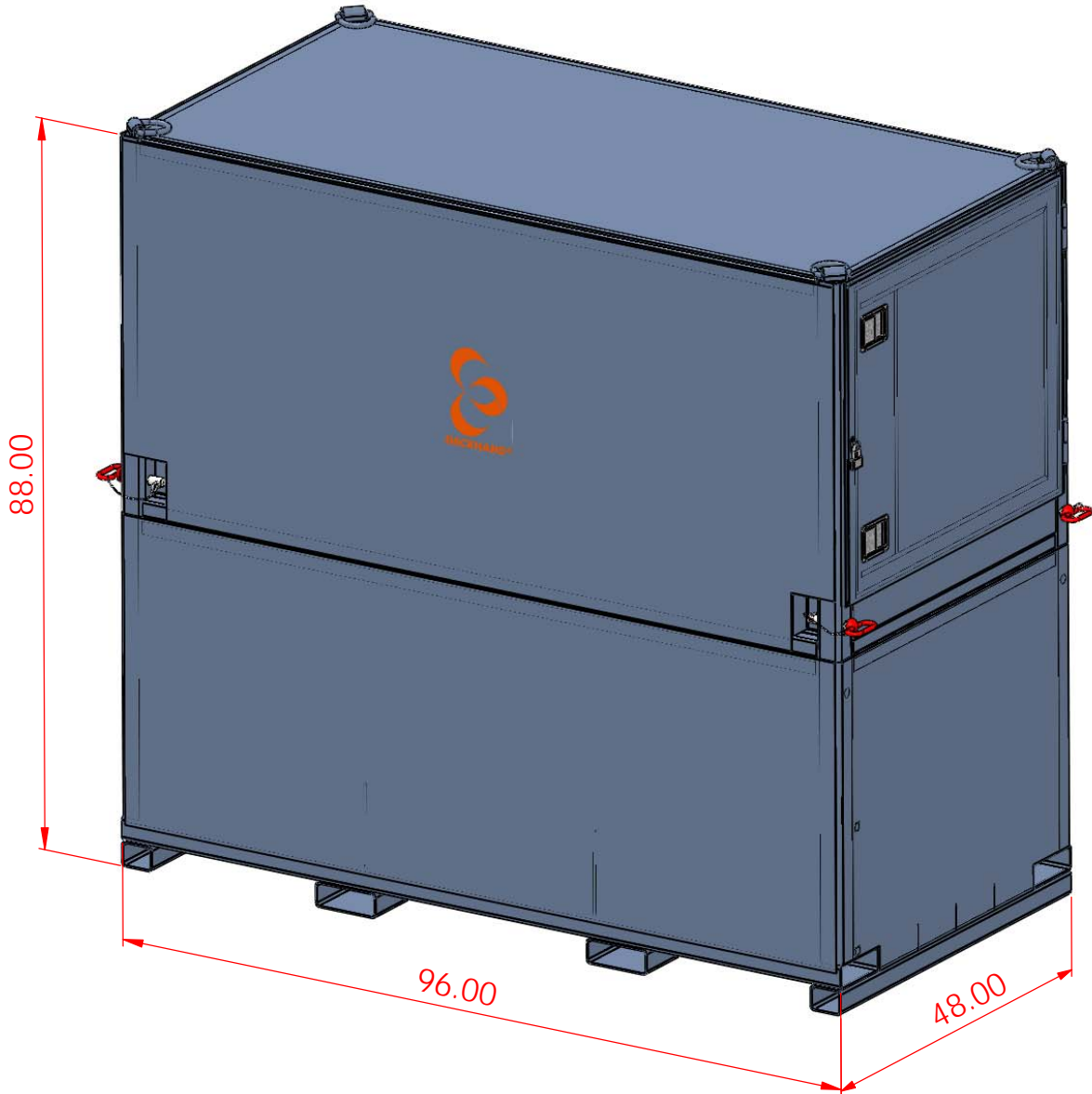




**LaValley Industries**



**DECKHAND ENCLOSED SHIPPING / STORAGE CONTAINER**

PART NUMBER	3590
CAPACITY	6500 LBS / 2949 KGS
INTERIOR DIMENSIONS	91L X 44W X 83H
DECKHAND PRODUCTS APPROVED FOR	DECKHAND (WITH: IMHA 6" & 8" FLEXIBLE PIPE TIPS; DD ARMS; IPA 4"-12"; IPAM 14" & 16")
WEIGHT	2100 LBS / 952 KGS
SHIPPING DIMENSIONS (INCHES)	96L X 48W X 88H