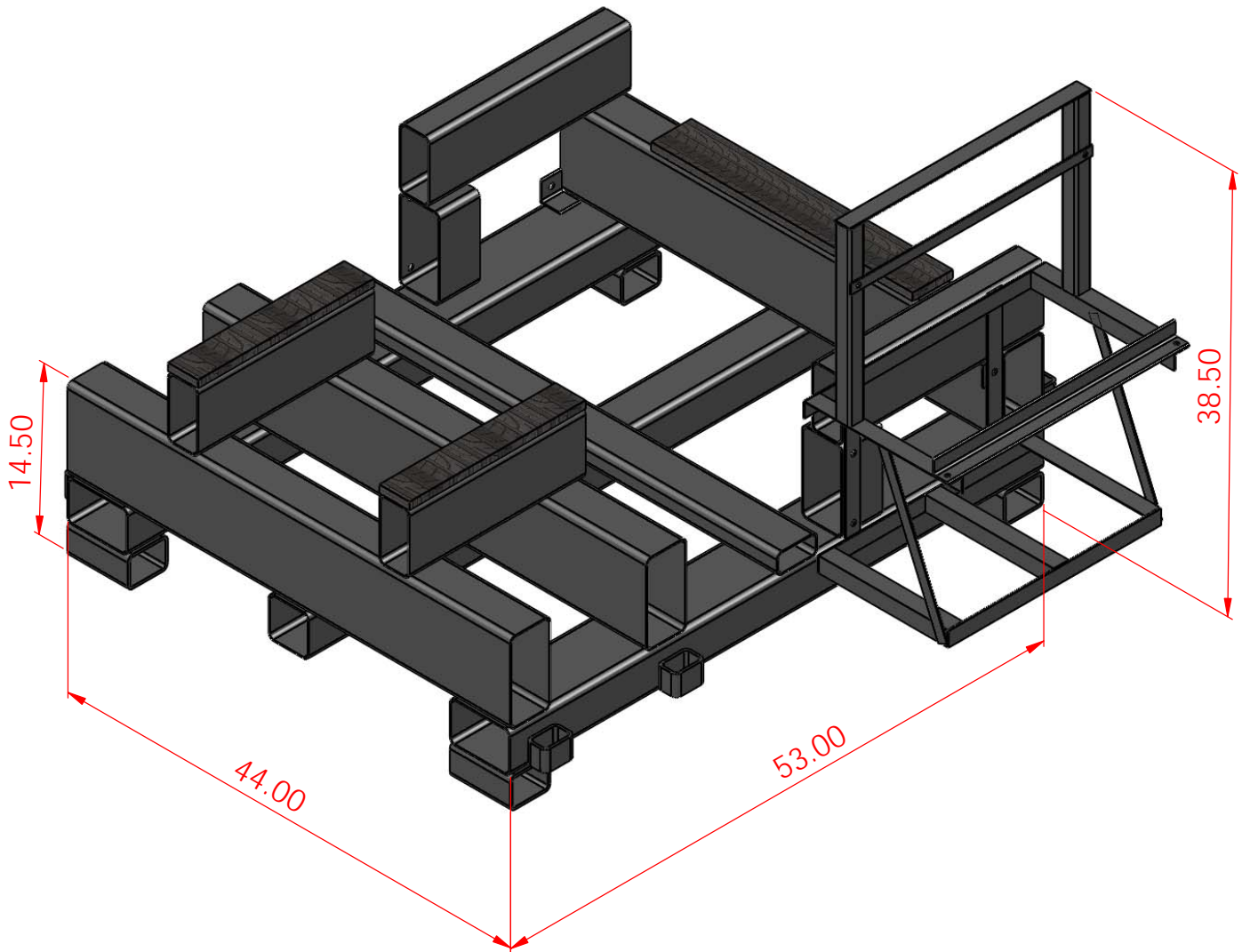




LaValley Industries



DECKHAND HORIZONTAL SHIPPING / STORAGE CRATE

PART NUMBER	3640
SHIPPING STAND APPROVED FOR WEIGHT	DECKHAND 367 LBS / 167 KGS
STAND DIMENSION (INCHES)	53L X 44W X 38H