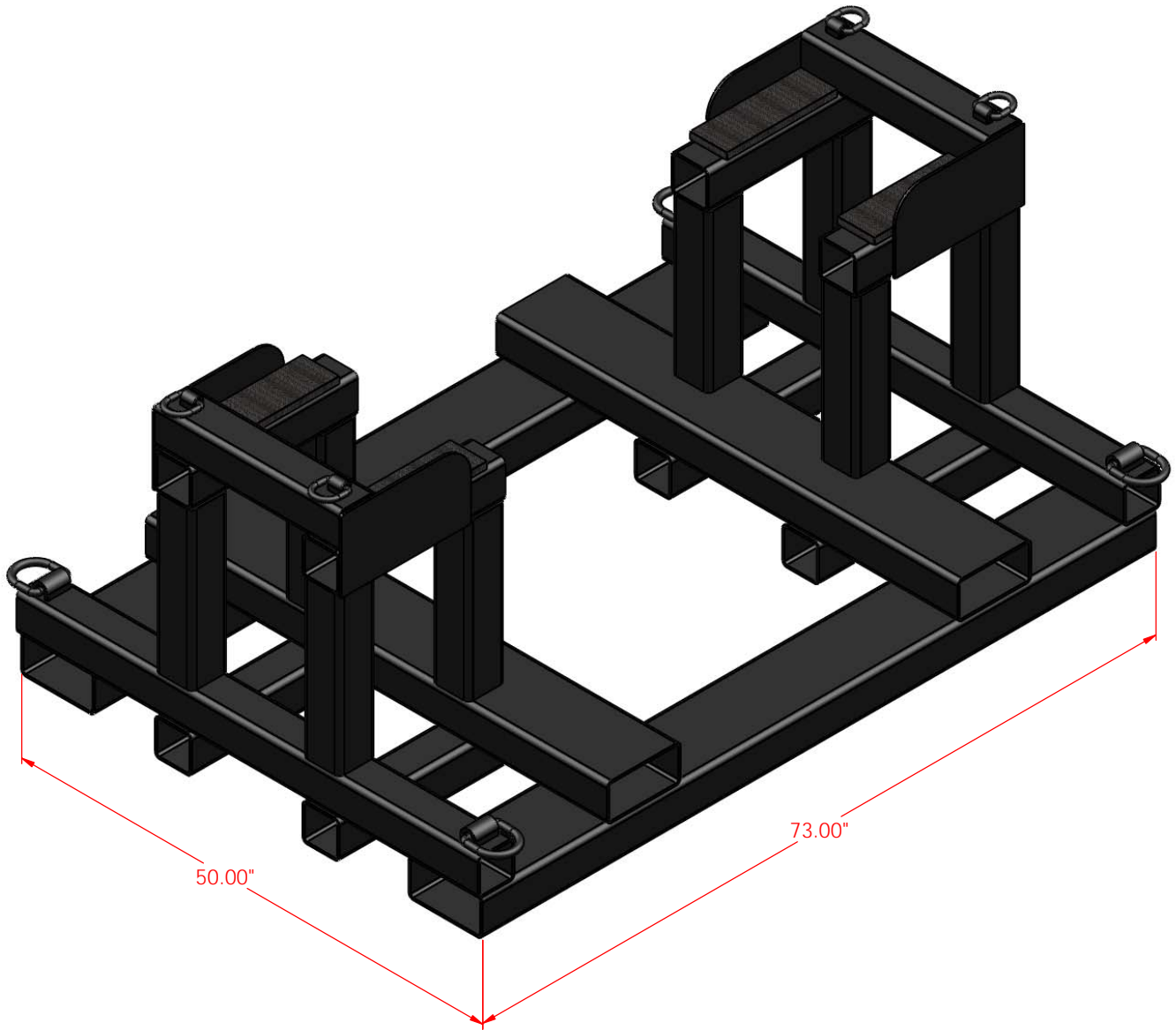




LaValley Industries



DHXL WELD POSITIONING ARM SHIPPING/STORAGE STAND

PART NUMBER	3436
SHIPPING STAND APPROVED FOR	DHXL WELD POSITIONING ARM 20"-42" (FITS ONE ARM ASSEMBLY)
WEIGHT	869 LBS / 394 KGS
STAND DIMENSION (INCHES)	73L X 50W X 34.125H