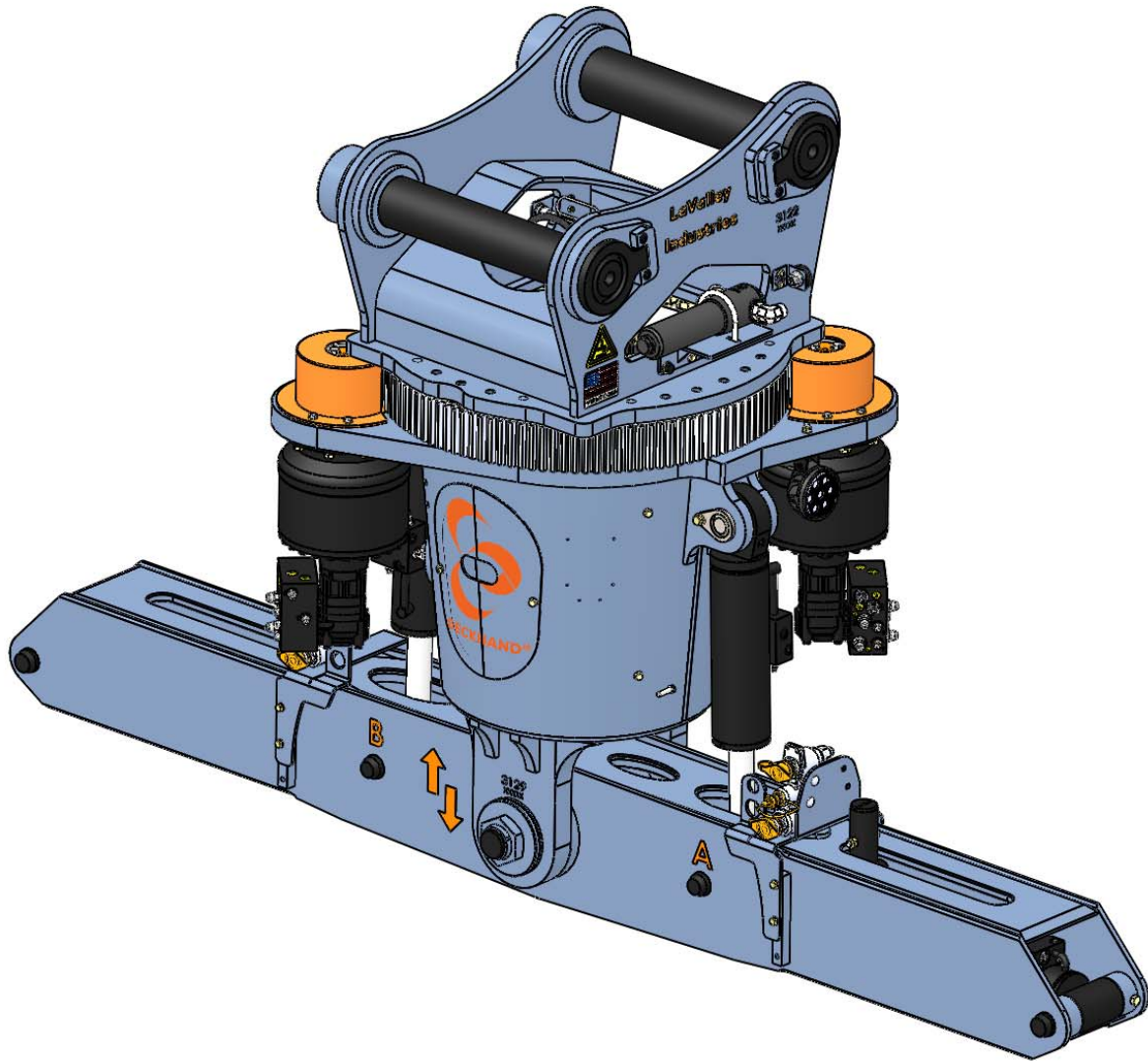




# LaValley Industries



## DECKHAND "XL" HEAD UNIT

PART NUMBER	2807
MODEL NUMBER	DHXL
EXCAVATOR WT CLASS	165,000 LBS / 74,483 KGS
SUPPLY PRESSURE	3,200 PSI / 221 BAR
MAX FLOW	25 GPM / 95 LPM
MIN FLOW	15 GPM / 57 LPM
MAIN BEAM SIZE (INCHES)	10X10
CAPACITY	50,000 LBS / 22,680 KGS
WEIGHT	4,000 LBS / 1,814 KGS
SHIPPING STAND P/N	2605
SHIPPING DIMENSION (INCHES)	112L X 46W X 80H
SHIPPING WEIGHT W/ STAND	4,565 LBS / 2,070 KGS