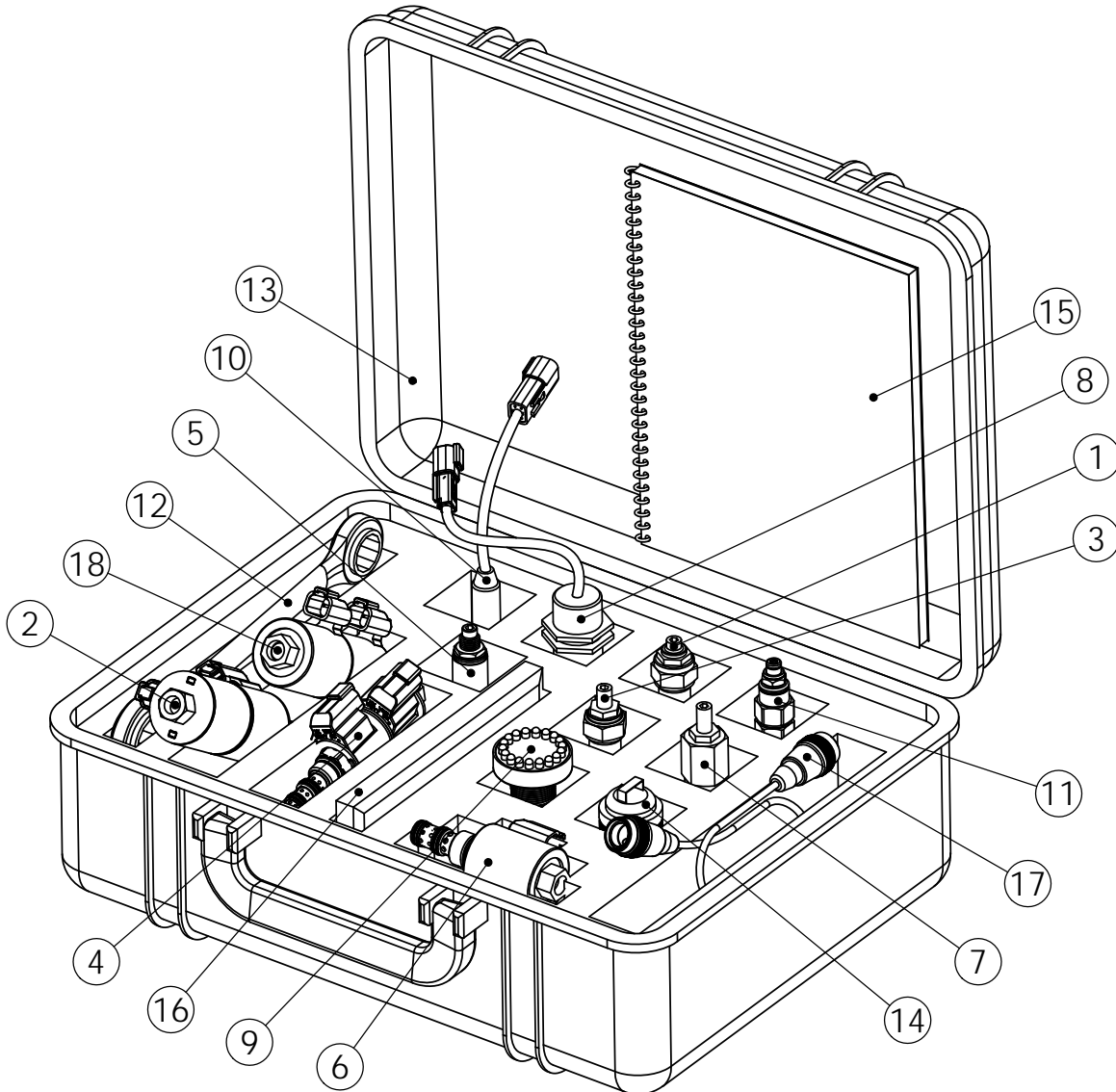




LaValley Industries

DECKHAND START-UP/MAINTENANCE KIT

PART NUMBER	REVISION
3949	B



ITEM NO.	PartNo	Description	QTY
1	1015	ADJUSTABLE RELIEF VALVE	1
2	1063	DIRECTIONAL VALVE	1
3	1064	PRESSURE REDUCING/RELIEVING VALVE	1
4	1065	PROPORTIONAL VALVE	1
5	1074	COUNTERBALANCE VALVE	1
6	1160	PROPORTIONAL VALVE	1
7	1359	COUNTERBALANCE VALVE	1
8	1476	PROXIMITY SENSOR	1
9	1477	LED INDICATOR LIGHT	1
10	1480	PRESSURE TRANSDUCER	1
11	1925	COUNTERBALANCE VALVE	1
12	2351	RATCHETING VALVE WRENCH	1
13	2387	DH PARTS KIT CASE	1
14	2589	FILTER ELEMENT	1
15	3373	DECKHAND PARTS MANUAL (S/N DH0038 & UP)	1
16	3419	PARKER MOTOR SEAL KIT DH	1
17	3762	CABLE, 2.5 M	1
18	3773	PROPORTIONAL VALVE	1

DECKHAND COMPONENT LOCATION

(DH0060 AND UP)

