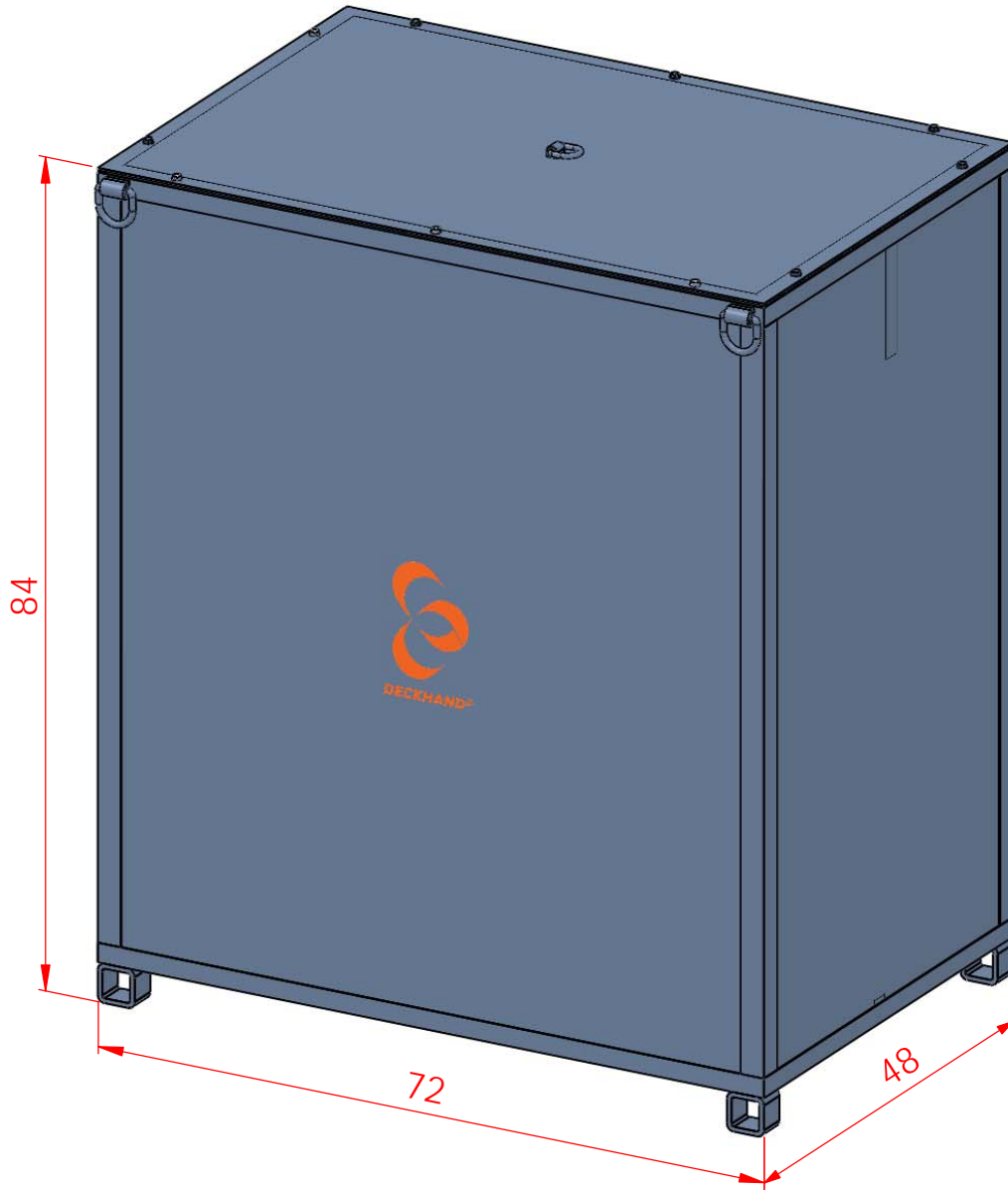




LaValley Industries



SHIPPING/STORAGE CRATE

PART NUMBER	2579
CAPACITY	3,000 LBS / 1,361 KGS
INTERIOR DIMENSIONS	71L X 47W X 79H
DECKHAND PRODUCTS APPROVED FOR	UP TO 42 INCH ARMS
WEIGHT	1,370 LBS / 621 KGS
SHIPPING DIMENSION (INCHES)	72L X 48W X 84H